

3000 Product Data

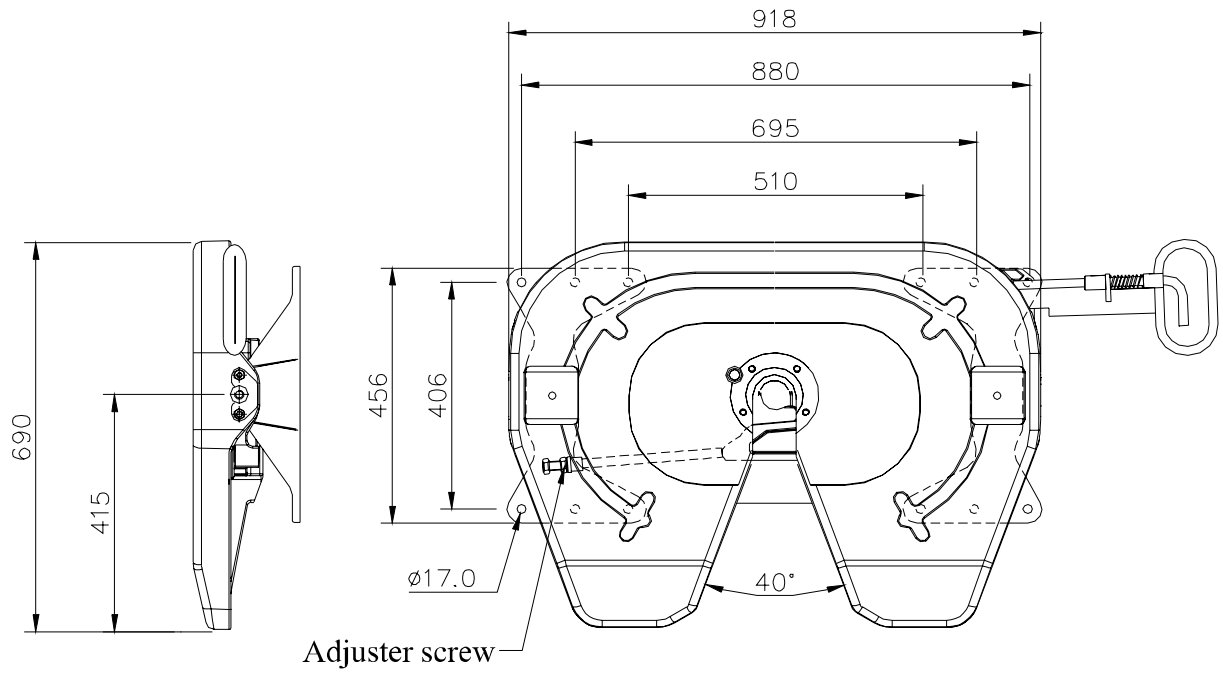


Fig. 5

Fig 1

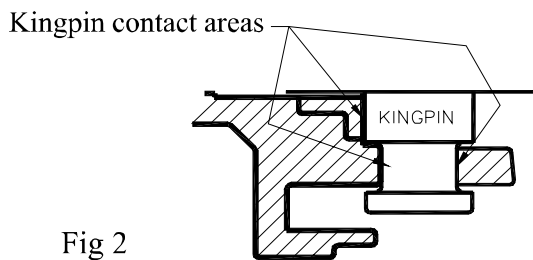


Fig 2

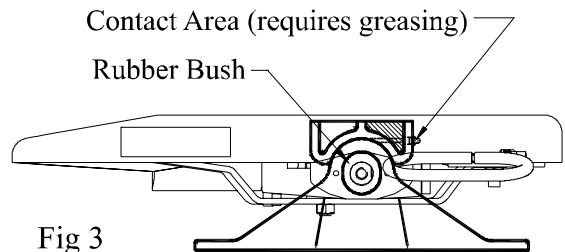


Fig 3

Models

All with DIN/ISO mounting pattern

Height (A) mm	Weight kg	Class	Approval No
148	120	G50-1	e11 94/20*Pending
161	122	G50-2	e11 94/20*Pending
185	124	G50-3	e11 94/20*Pending
210	129	G50-4	e11 94/20*Pending
230	133	G50-5	e11 94/20*Pending
257	137	G50-6	e11 94/20*Pending

Key Advantages

- Kingpin height sensor Patented design - No contact, No couple. *Now with complete jaw protection*
- Lower weight From **120 kg** complete with DIN mounting feet
- Longer Life 2 diameter contact doubles fifthwheel life -fig 2
- Wear Adjustment Easy adjustment to compensate for jaw wear -fig 1
- Better load distribution All vertical load is taken on the top of the foot (not on the pivot bush) -fig 3
- Modular design Easy to add / change options at any time