

# 150/163CI Product Data

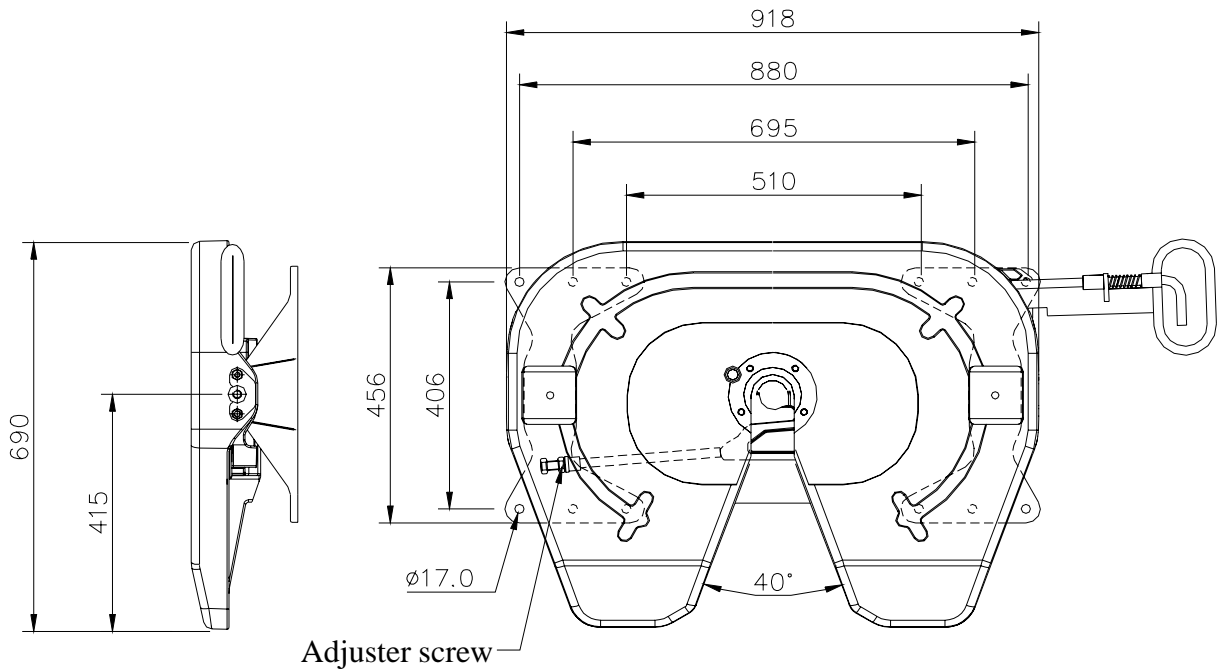


Fig. 5

Fig 1

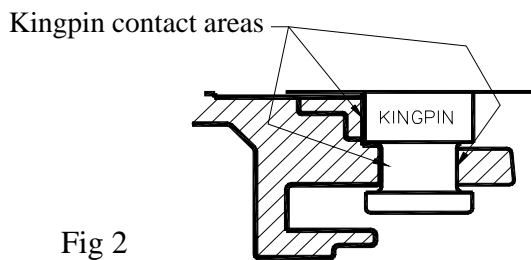


Fig 2

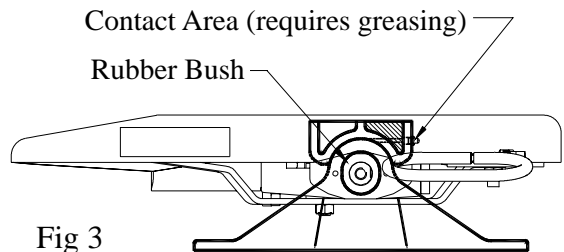


Fig 3

## Models

All with DIN/ISO mounting pattern

Height (A) mm	Weight kg	Class	Approval No
148	132	G50-1	e11 94/20*2598
161	135	G50-2	e11 94/20*2599
185	136	G50-3	e11 94/20*2600
210	141	G50-4	e11 94/20*2601
230	147	G50-5	e11 94/20*2602
257	150	G50-6	e11 94/20*2603

## Key Advantages

- Kingpin height sensor      Patented design - No contact, No couple
- Low weight                      From 132 kg complete with DIN mounting feet
- Longer Life                      2 diameter contact doubles fifthwheel life -fig 2
- Wear Adjustment              Easy adjustment to compensate for jaw wear -fig 1
- Better load distribution      All vertical load is taken on the top of the foot (not on the pivot bush) -fig 3
- Modular design                Easy to add / change options at any time